



## Ex15VT SOUNDER



### SPECIFICATIONS

**Drawing No: SS66100-64-201**

**MATERIAL:**

Body - Injection Moulded Aluminium DS 4261 equal to LM6 Brackets and fixings - Stainless Steel

**FINISH:**

Aluminium - Hard Anodised (paint - Polyester Fire Red (RAL 3000))

**WEIGHT:**

3.0kg

**SOUND OUTPUT:**

107dB - 118dB SPL

3dB volume Control

**ENVIRONMENT:**

Temperature Range - 25° to 55°C

Ingress Protection IP 67

**POWER**

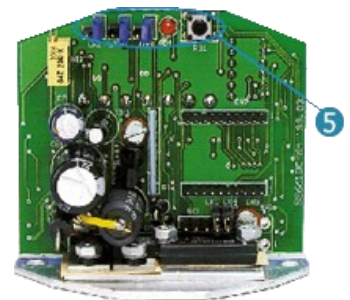
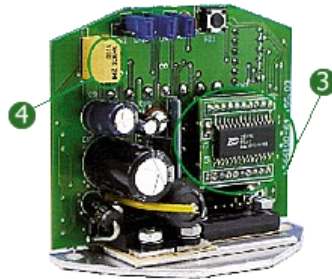
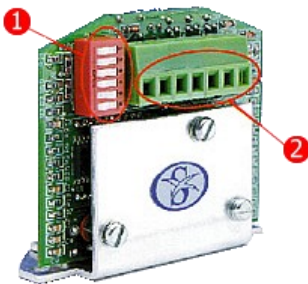
- Voice and Tone

Voltage 16V—36V DC

Current consumption - 400mA (Average) @24V (8ohm coil)

**CERTIFICATION:**

- Approval Authority NEMKO (Norway)
- Approval Certification
- 1. NEMKO 98ATEX104 II 2G
- 2. NEMKO Ex 91Y263 Exds IIB+H<sub>2</sub>T6
- Approved for - Zone 1 & 2 Use



**1 CHOICE OF UP TO 64 TONES**

- 50 Standard
- 14 Customised

**2 TERMINALS 7 X 2.5MM2**

- Power In Quantity 2
- Power Out Quantity 2
- Alarm Stages Quantity 3
- ALL TONES, SOUNDS/VOICE SYNCHRONISED

**3 PLUG-IN CARD FOR VOICE / SOUND REPRODUCTION**

- Duration
- 1 x 32 Secs
- 2 x 16 Secs
- 4 x 8 Secs
- Microcontroller loops sound to give continuous effect
- Tone - Voice - Tone link possible

**4 VOLUME CONTROL**

**5 UP TO 4 ALARM STAGES; ALL CUSTOMER PROGRAMMEABLE, GIVING ANY COMBINATION OF**

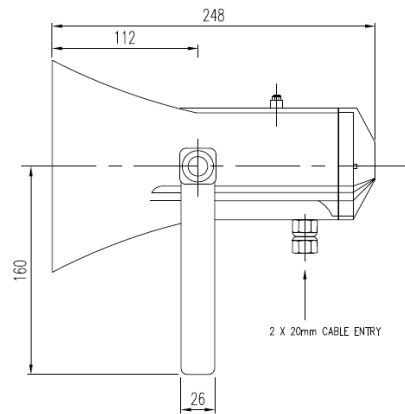
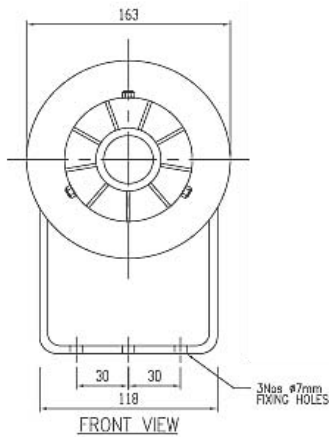
- Tone
- Voice / Sound
- Tone + Voice





# Seagull Safety

## EXPLOSIONPROOF VOICETONE SOUNDERS



STONE NO.	STONE DESCRIPTION	SOUND TYPE	SOME SUGGESTED VOICE/SOUND RECORDINGS
1	CONTINUOUS AT 320Hz		1 Actual Bell Recording
2	CONTINUOUS AT 440Hz		2 Actual Motorised Siren Recording
3	CONTINUOUS AT 520Hz	SHELL-FIRE SIREN ALL-CLEAR	3 "This Is A Test Alarm, Please Disregard"
4	CONTINUOUS AT 554Hz		4 "This Is A Fire Alarm, Please Evacuate Immediately"
5	CONTINUOUS AT 660Hz	SWEDISH FIRE ALARM	5 "This Is A Combustible Gas Alarm, Please Go To Muster Stations"
6	CONTINUOUS AT 800Hz		6 "This Is A Toxic Gas Alarm, Please Evacuate Immediately"
7	CONTINUOUS AT 1000Hz	SHELL-TOXIC GAS ALL-CLEAR	
8	CONTINUOUS AT 2000Hz	SHELL-FLAMMABLE GAS ALL-CLEAR	
9	CONTINUOUS AT 2850Hz		
10	INTERMITTENT 420Hz 0.625s ON/ 0.625s OFF	AUSTRALIAN ALERT	
11	INTERMITTENT 660Hz 150ms ON/ 150ms OFF	SWEDISH FIRE ALARM	
12	INTERMITTENT 660Hz 0.5s ON/ 0.5s OFF	SWEDISH FIRE ALARM	
13	INTERMITTENT 660Hz 7/8Hz		
14	INTERMITTENT 660Hz 1.8s ON/ 1.8s OFF	SWEDISH FIRE ALARM	
15	INTERMITTENT 660Hz 6.5s ON/ 13s OFF	SWEDISH FIRE ALARM	
16	INTERMITTENT 800Hz 0.25s ON/ 0.25s OFF		
17	INTERMITTENT 800Hz 0.25s ON/ 1s OFF		
18	INTERMITTENT 1000Hz 0.5s ON/ 0.5s OFF		
19	INTERMITTENT 1000Hz 1s ON/ 1s OFF	SHELL-TOXIC GAS	
20	INTERMITTENT 1000Hz 0.5s ON/0.5s OFF FOR 3 PULSES,1.5s GAP		
21	INTERMITTENT 2400Hz AT 1Hz		
22	INTERMITTENT 2850Hz 0.5s ON / 0.5s OFF		
23	INTERMITTENT 2850Hz 1s ON/ 1s OFF		
24	INTERMITTENT 2850Hz 0.5s ON/0.5s OFF FOR 3 PULSES,1.5s GAP		
25	ALTERNATE TONES 440/ 554Hz AT 1Hz		
26	ALTERNATE TONES 440/ 554Hz AT 0.5Hz		
27	ALTERNATE TONES 554Hz (0.1s)/ 440Hz (0.4s)	FRENCH FIRE ALARM	
28	ALTERNATE TONES 660/ 1200Hz AT 7/8Hz		
29	ALTERNATE TONES 800/ 1000Hz AT 2Hz		
30	ALTERNATE TONES 1000/ 2000Hz AT 1Hz	SHELL-FLAMMABLE GAS	
31	SWEEPING 500 - 1200Hz AT 7Hz		
32	SWEEPING 500 - 1200Hz AT 1Hz		
33	SWEEPING 500 - 1200 Hz OVER 3.75s 0.25s GAP	AUSTRALIAN ALERT	
34	SWEEPING 600 - 1200Hz AT 1Hz		
35	SWEEPING 800 - 1000Hz AT 50Hz		
36	SWEEPING 800 - 1000Hz AT 8Hz		
37	SWEEPING 800 - 1000Hz AT 3Hz		
38	SWEEPING 800 - 1000Hz AT 1Hz		
39	SWEEPING 800 - 1000Hz AT 0.5Hz		
40	SWEEPING 1200 - 500Hz AT 1Hz		
41	SWEEPING 1400 - 1600Hz OVER 1s, SWEEPING 1600 - 1400Hz OVER 0.5s		
42	SWEEPING 1600 - 1400Hz AT 1Hz		
43	SWEEPING 2400 - 2850Hz AT 50Hz		
44	SWEEPING 2400 - 2850Hz AT 7Hz		
45	SWEEPING 2400 - 2850Hz AT 3Hz		
46	SWEEPING 2400 - 2850Hz AT 1Hz		
47	MOTOR SIREN MODULATED 320-520-320Hz OVER 6s REPEATED	SHELL-FIRE SIREN	
48	SIREN 500 - 1200 - 500Hz AT 0.3Hz		
49	TWO TONE CHIME		
50	BELL (IF PLAYBACK I.C. FITTED)		