

## XDI-F1win Hazardous Area Gas Detector

Remote Gas Detection offering local control and display

Specification Sheet ref C759

- Explosion proof
- Rugged and reliable
- Flexible output options
- Wide range of gas types / sensors
- 3 stage alarms
- Non intrusive adjustment magnets or potentiometers
- Back lit alpha numeric display
- Addressable or stand alone
- Hyper terminal communications / RS232 - live data and set up with 232 adapter
- Plug and play
- One man calibration
- Optional 2 alarm relays plus fault relay for local control functions
- Full data logging with combi alarm panel

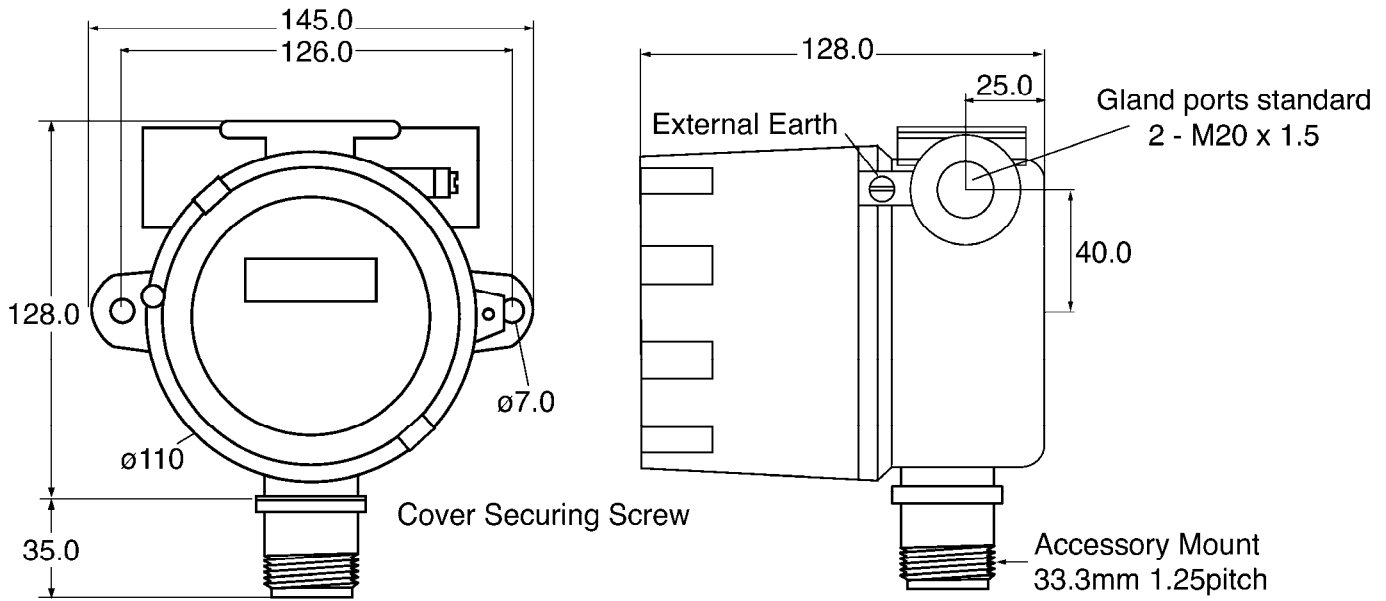


The XDI Gas Sensor is capable of utilising a wide range of sensor cell types offering an unmatched number of configurations allowing for a simple stand alone 4~20mA transmitter or a CAN bus address system enabling networking of up to 64 process sensors with a local diagnostics port which allows interrogation using a PC, network sensors may also provide individual independent 4~20mA outputs.

A sensor network when connected to a Combi alarm panel may be addressed and checked for alarm conditions and general sensor status providing a wide range of options for controls and indications.

### Technical Data

|                           |   |  |
|---------------------------|---|--|
| <b>Classification</b>     | <ul style="list-style-type: none"> <li>• Housing Flameproof</li> <li>• EExd IIC T6</li> <li>• II2GD</li> <li>• Cert No FTZU-06ATEX0296X</li> </ul>  | <ul style="list-style-type: none"> <li>• F1 sensor - flameproof</li> <li>• EExd IIC T6</li> <li>• II2GD</li> <li>• Cert No SIRA-03ATEX1176X</li> <li>• Cert No SIR 06.0016X</li> </ul> |
| <b>Power Supply</b>       | <ul style="list-style-type: none"> <li>• 15 to 30vDC</li> </ul>   |  |
| <b>Outputs</b>            | <ul style="list-style-type: none"> <li>• 3 wire (4~20mA) 4 wire (Addressable)</li> <li>• Optional relays - Low alarm S.P.C.O 0.5A @30vDC</li> <li style="padding-left: 20px;">High alarm S.P.C.O</li> <li style="padding-left: 20px;">Fault alarm S.P.C.O</li> <li style="padding-left: 20px;">Inhibit option during servicing</li> </ul> |  |
| <b>Display</b>            | <ul style="list-style-type: none"> <li>• 2 line alpha numeric back lit</li> </ul>   |  |
| <b>Indicators</b>         | <ul style="list-style-type: none"> <li>• Alarm - Red LED + display status</li> <li>• Fault - Amber LED - (Flashing when in inhibit)</li> </ul>  |  |
| <b>Housing material</b>   | <ul style="list-style-type: none"> <li>• Copper free aluminium alloy, optional stainless steel</li> </ul>   |  |
| <b>Finish</b>             | <ul style="list-style-type: none"> <li>• Chemical resistant epoxy paint</li> <li>• Optional - Marine grade finish</li> </ul>  |  |
| <b>Ingress Protection</b> | <ul style="list-style-type: none"> <li>• IP63 + weather shield IP65</li> </ul>  |  |
| <b>Cable Entry</b>        | <ul style="list-style-type: none"> <li>• 2 x M20 - 1.5 pitch - alternatives 25mm - ¼ NPT</li> </ul>   |  |
| <b>Weight</b>             | <ul style="list-style-type: none"> <li>• 1.6kg</li> </ul>   |  |
| <b>Temperature</b>        | <ul style="list-style-type: none"> <li>• -10°C to +50°C</li> </ul>  |  |
| <b>Humidity</b>           | <ul style="list-style-type: none"> <li>• 0 to 99% RH non-condensing</li> </ul>  |  |



System Configuration



Sensor Detail

**Sensor Type** Infra Red, Electrochemical, Catalytic, Semiconductor

**Gas Type** Flammable gases - LEL / %Vol  
 Toxic gases - see [www.seagullssafety.com](http://www.seagullssafety.com)  
 Range - see [www.seagullssafety.com](http://www.seagullssafety.com)

**Accessories**

- 003-010 Collector Cone & Universal Fitting
- 003-020 Universal Fitting, (Test Gas Applicator/ Spray Deflector)
- 003-031 Filter - Particulate
- 008-311 Flow Adaptor
- 003-090 Duct Mount Kit
- 003-035 Water Shield

**SEAGULL SAFETY LTD**  
 45 Chestnut Avenue, Wokingham RG41 3HW  
 Berkshire, England  
 Tel: (44) 118 978 5986  
 Fax: (44) 118 977 5261  
[info@seagullssafety.com](mailto:info@seagullssafety.com)

**SEAGULL SAFETY (SINGAPORE) PTE LTD**  
 1 Genting Link, #07-06, Perfect Industrial Building  
 Singapore 349518  
 Tel: (65) 6747 9646  
 Fax: (65) 6744 4028  
[info@seagullssafety.com](mailto:info@seagullssafety.com)

