



## XDI-F1 Hazardous Area Gas Detector

Remote Gas Detection offering local control and display

Specification Sheet ref C744

- Explosion proof
- Rugged and reliable
- Flexible output options
- Wide range of gas types / sensors
- 3 stage alarms
- Addressable or stand alone
- Hyper terminal communications / RS232 - live data and set up with 232 adapter
- Plug and play
- One man calibration
- Optional 2 alarm relays plus fault relay for local control functions
- Full data logging with combi alarm panel



The XDI Gas Sensor is capable of utilising a wide range of sensor cell types offering an unmatched number of configurations allowing for a simple stand alone 4~20mA transmitter or a CAN bus address system enabling networking of up to 64 process sensors with a local diagnostics port which allows interrogation using a PC, network sensors may also provide individual independent 4~20mA outputs.

A sensor network when connected to a Combi alarm panel may be addressed and checked for alarm conditions and general sensor status providing a wide range of options for controls and indications.

### Technical Data

#### Classification

- Housing Flameproof
- EExd IIC T6
- II2GD
- Cert No FTZU-06ATEX0296X
- F1 sensor - flameproof
- EExd IIC T6
- II2GD
- Cert No SIRA-03ATEX1176X
- Cert No SIR 06.0016X

#### Power Supply

- 15 to 30vDC
- 3 wire (4~20mA) 4 wire (Addressable)
- Optional relays - Low alarm S.P.C.O 0.5A @30vDC
- High alarm S.P.C.O
- Fault alarm S.P.C.O
- Inhibit option during servicing

#### Outputs

#### Housing material

- Copper free aluminium alloy, optional stainless steel

#### Finish

- Chemical resistant epoxy paint
- Optional - Marine grade finish

#### Ingress Protection

- IP63 + weather shield IP65

#### Cable Entry

- 2 x M20 - 1.5 pitch - alternatives 25mm - 3/4 NPT

#### Weight

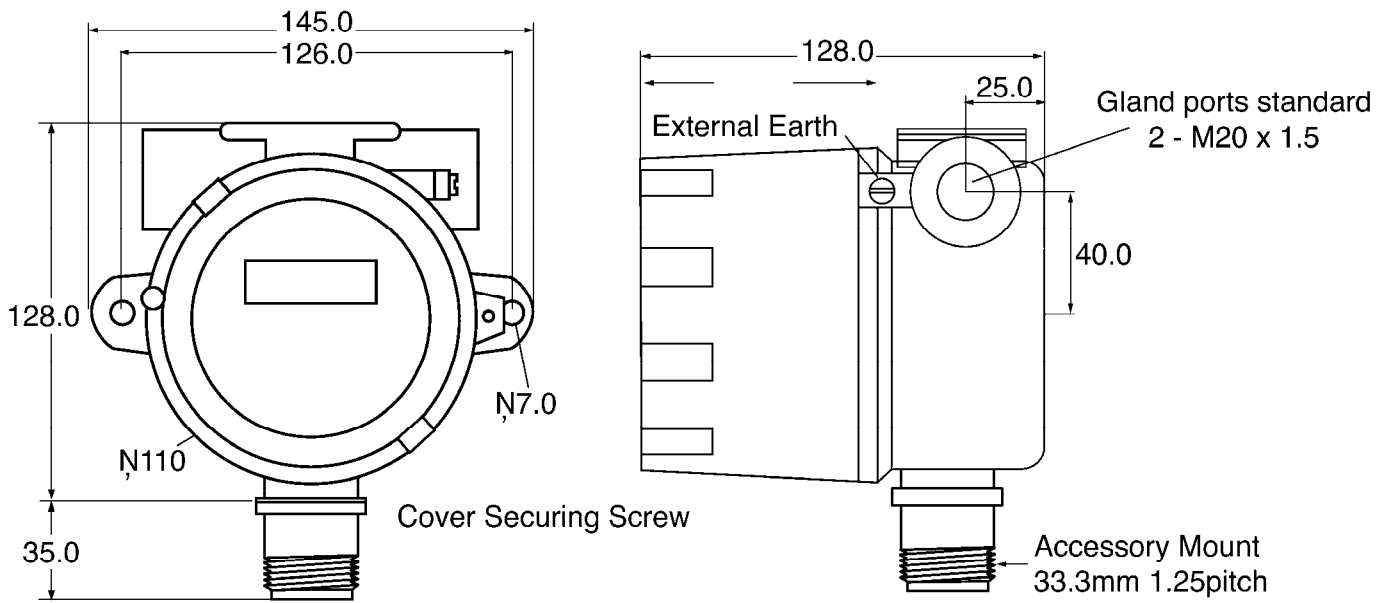
- 1.6kg

#### Temperature

- -10°C to +50°C

#### Humidity

- 0 to 99% RH non-condensing



System Configuration



Sensor Detail

**Sensor Type** Infra Red, Electrochemical, Catalytic, Semiconductor

**Gas Type** Flammable gases - LEL / %Vol  
 Toxic gases - see [www.seagullssafety.com](http://www.seagullssafety.com)  
 Range - see [www.seagullssafety.com](http://www.seagullssafety.com)

**Accessories**

1. 003-010 Collector Cone & Universal Fitting
2. 003-020 Universal Fitting,  
(Test Gas Applicator/ Spray Deflector)
3. 003-031 Filter - Particulate
4. 008-311 Flow Adaptor
5. 003-090 Duct Mount Kit
6. 003-035 Water Shield

**SEAGULL SAFETY LTD**  
 45 Chestnut Avenue, Wokingham RG41 3HW  
 Berkshire, England  
 Tel: (44) 118 978 5986  
 Fax: (44) 118 977 5261  
[info@seagullssafety.com](mailto:info@seagullssafety.com)

**SEAGULL SAFETY (SINGAPORE) PTE LTD**  
 1 Genting Link, #07-06, Perfect Industrial Building  
 Singapore 349518  
 Tel: (65) 6747 9646  
 Fax: (65) 6744 4028  
[info@seagullssafety.com](mailto:info@seagullssafety.com)

