

DESCRIPTION

THIS UNIT DERIVES ITS WARNING SIGNAL FROM A REPETITIVELY FLASHED XENON GAS FILLED DISCHARGE TUBE WHICH PROVIDES A VERY POWERED INTENSE VISUAL WARNING SIGNAL.

- FEATURES UV-STABLE POLYCARBONATE DOME LENS/ABS BASE. AVAILABLE IN RED, AMBER, GREEN, BLUE AND CLEAR.
- CONTINUOUSLY RATED SOLID-STATE EXCITER GIVES MASSIVE POWER SAVING AGAINST CONVENTIONAL LAMP BEACONS.
- SCREW TERMINALS ALLOW 2.5MMSQ CONNECTIONS
- 51MM FIXING CENTRES SUITABLE FOR MOUNTING DIRECTLY ONTO A STANDARD CONDUIT BOX
- EITHER 10MM OR 20MM ENTRY FOR GLANDS OR BUSHES

SPECIFICATION

SUPPLY VOLTAGE/ CURRENT: 12VDC/330mA, 24VDC/170mA
115VAC/60mA, 230VAC/30mA

SUPPLY VOLTAGE LIMITS: +/- 15%

FLASH ENERGY: 2.5J

FLASH/MIN SH: 60 fpm (1Hz)

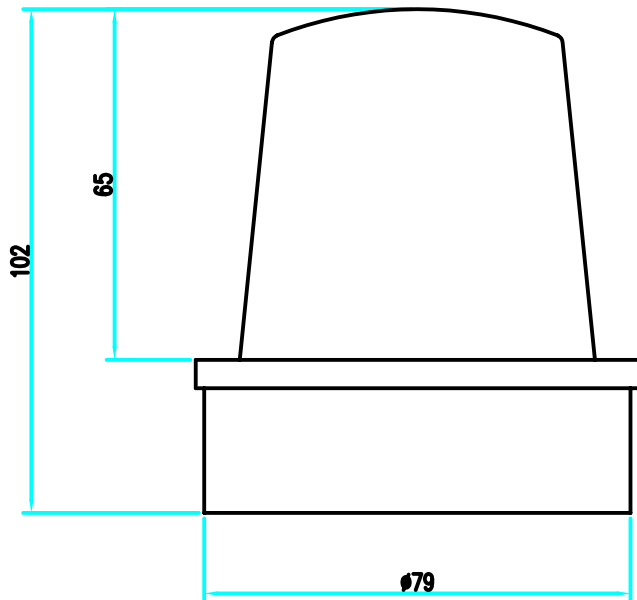
FLASH/MIN DH: NA

FLASH EVENT RATE ADJUSTMENT: NA

LUMINOUS INTENSITY: 40Cd (14KCd SHORT DURATION PEAK)

TEMPERATURE LIMITS: -40 TO 55°C

IEC PROTECTION: IP65



REV	DATE	DESCRIPTION	DRAWN	CHK'D
0	3-8-99	FOR APPROVAL	JL	

HEAD OFFICE : **SEAGULL SAFETY LTD**
45 CHESTNUT AVENUE,
WOKINGHAM, BERKSHIRE,
RG41 3HW, ENGLAND, UNITED KINGDOM
TEL: 44-118-978 3978 FAX: 44-118-977 5261

REGIONAL OFFICE : **SEAGULL SAFETY (S) PTE LTD**
1 GENTING LINK,
#07-06 PERFECT INDUSTRIAL BUILDING,
SINGAPORE 349518
TEL: 65-747 9646 FAX: 65-744 4028

THIS IS THE PROPERTY OF SEAGULL SAFETY LTD AND IS ONLY ISSUED ON CONDITION THAT NO COPY IS TAKEN OR REPRODUCTION OR DISCLOSURE TO A THIRD PARTY EITHER WHOLLY OR IN PART IS MADE WITHOUT THE WRITTEN CONSENT OF SEAGULL SAFETY LTD.

TITLE : **XENON FLASHING BEACON SERIES D**

DRAWN BY :	J LING	DATE :	03 AUG 1999
CHECKED BY :	A DONE	DATE :	03 AUG 1999
DRWG NO :	SS77100-106		REVISION
			0

FILENAME : SS77100.DWG