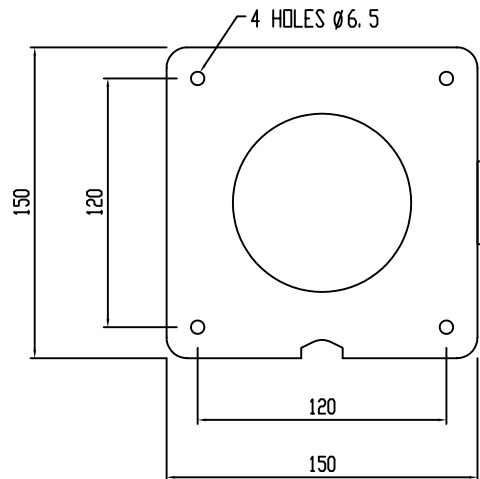


SIDE VIEW



TOP VIEW

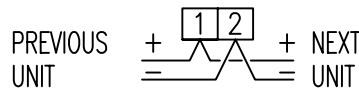
MODEL :

XFT/11 JOULE XENON STROBE BEACON

SPECIFICATION :

SUPPLY VOLTAGE : 110Vac
 SUPPLY VOLTAGE LIMITS : ±15%
 SUPPLY CURRENT : 160mA
 LUMINOUS INTENSITY RED : 44Cd
 AMBER : 132Cd
 GREEN : 132Cd
 BLUE : 44Cd
 CLEAR : 220Cd
 FLASH ENERGY : 11J
 FLASH RATE ADJUSTMENT : 30, 45, 60, 90 fepm
 TEMPERATURE LIMITS : -40C, +55C
 IEC PROTECTION CLASS : IP65

- Heavy Duty industrial xenon beacon.
- UV-Stabilised polycarbonate base & lens.
- High energy xenon strobe beacon.
- Long-life xenon tube-typically > 20,000,000 flashes.
- 360° All-round and 270° All-over visibility.



WIRING DIAGRAM

REV.	DATE	DESCRIPTION	DRAWN	CHK'D
0	20.12.03	ISSUED FOR APPROVAL	S. A.	A. D.

HEAD OFFICE : **SEAGULL SAFETY LTD**
 45 CHESTNUT AVENUE
 WOKINGHAM, BERKSHIRE
 RG41 3HW, ENGLAND UNITED KINGDOM
 Tel: 44-118-978 3978 Fax: 44-118-977 5261

REGIONAL OFFICE : **SEAGULL SAFETY (S) PTE LTD**
 1 GENTING LINK
 #07-06 PERFECT INDUSTRIAL BUILDING
 SINGAPORE 349518
 Tel: (65) 6-747 9646 Fax: (65) 6-744 4028

TITLE :		SERIES T XENON FLASHING BEACON	
DRAWN BY	SA	DATE	20.12.2003
CHECKED BY	AD	DATE	20.12.2003
DRWG NO :			SS77100-107
			REVISION
			0

THIS IS THE PROPERTY OF SEAGULL SAFETY LTD AND IS ONLY ISSUED ON CONDITION THAT NO COPY IS TAKEN OR REPRODUCTION OR DISCLOSURE TO A THIRD PARTY EITHER WHOLLY OR IN PART IS MADE WITHOUT THE WRITTEN CONSENT OF SEAGULL SAFETY LTD.