



EXPLOSIONPROOF LED BEACON STAINLESS STEEL



S888-L2 LED Beacon



- Explosionproof
- 316 Stainless Steel
- 12-55 VDC and universal 115-230 VAC versions
- White High Power LED Signal
- Pulsed or Static LED Signals
- Choice of Six Lens Colours
- IP66
- Weight 3.75kg

PRODUCT CERTIFICATION : ATEX & IECEx

CE 1180 Ex II 2 G Exd IIC T3 Gb

Ex II 2 D Ex tb IIIC T150 °C Db $-20\text{ °C} \leq t_A \leq +70\text{ °C}$

CERTIFICATION NUMBERS

ATEX: ITS 13 ATEX 17868

IECEx: IECEx ITS 13.0033

Complies with following Standards:

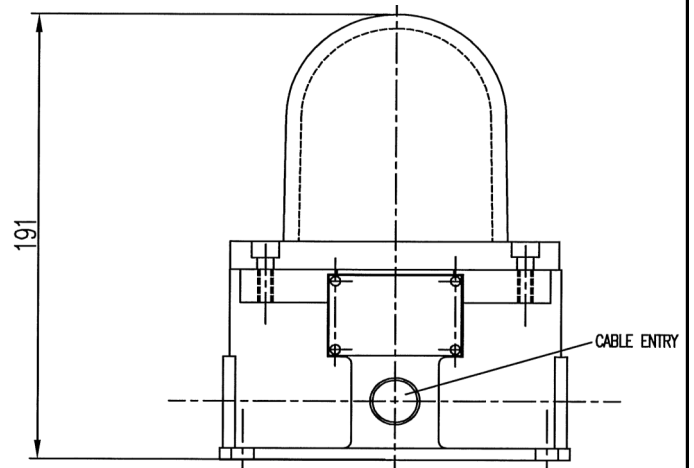
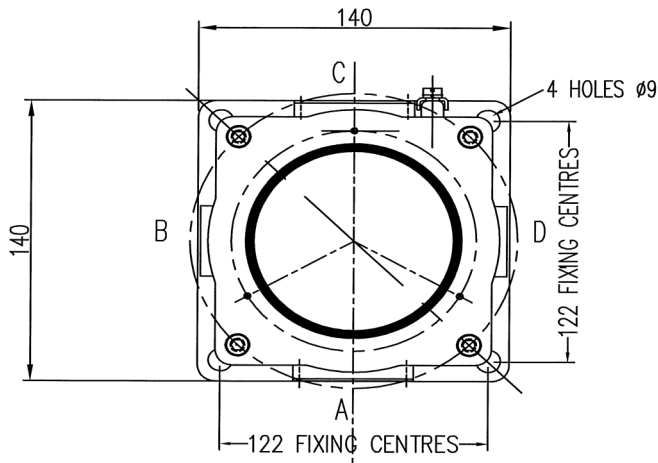
ATEX : EN60079-0:2012, EN60079-1:2007 and EN60079-31:2009.

IECEx : IEC60079-0:2011, IEC60079-1:2007 and IEC60079-31:2008.

IP : 60529:1997+A1:2000.

LUMINOUS INTENSITY: S888 – L2		
COLOUR	WHITE LEDs WITH COLOURED LENS	COLOURED LED's WITH CLEAR LENS
RED	2.4 cd	10 – 15 cd
AMBER	8.6 cd	10 – 15 cd
YELLOW	8.6 cd	10 – 15 cd
GREEN	6.8 cd	10 – 15 cd
BLUE	2.7 cd	10 – 15 cd
CLEAR	15 cd	15 cd

Flash rate in pulsed mode: 1 Hz

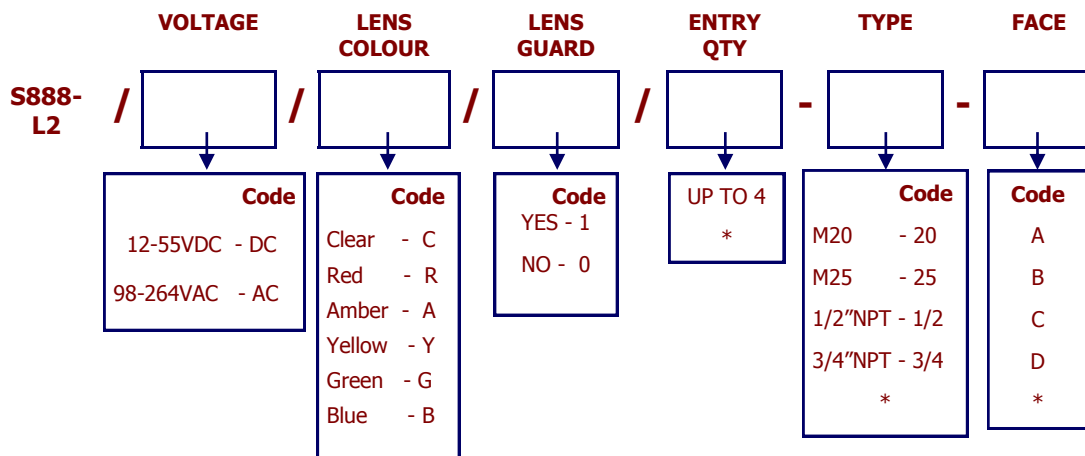


S888-L2 DC			
SUPPLY VOLTAGE	MODE	White Pulsed	White Static
12VDC	<u>Iavg</u> (mA)	108	182
	<u>Ipk</u> (mA)	190	183
	Watts	1.29	2.2
24VDC	<u>Iavg</u> (mA)	96	182
	<u>Ipk</u> (mA)	284	185
	Watts	2.31	4.36
55VDC	<u>Iavg</u> (mA)	45	82
	<u>Ipk</u> (mA)	83	83
	Watts	2.45	4.52

S888-L2 AC			
SUPPLY VOLTAGE	MODE	White Pulsed	White Static
115VAC	<u>Irms</u> (mA)	37	50
	Watts	1.84	3.25
	VA	4.24	5.75
	PF	0.43	0.57
	<u>Ipk</u> (mA)	261	248
230VAC	<u>Irms</u> (mA)	22	32
	Watts	2.02	3.66
	VA	5.12	7.28
	PF	0.39	0.5
	<u>Ipk</u> (mA)	218	195

ORDERING INFORMATION

CABLE ENTRIES



EXAMPLE: S888-L2/DC/R/0/2-20-AC

LED BEACON, 12-55VDC SUPPLY, RED Lens, No Lens Guard, 2 x M20 Entries on faces A & C

*** STANDARD CABLE ENTRY ARRANGEMENT**
1 x 20 mm FACE A
1 x 20 mm FACE C

OTHER CABLE ENTRY ARRANGEMENTS MAY RESULT IN INCREASED PRICES & LONGER DELIVERY TIMES. MORE DETAILS AVAILABLE ON REQUEST.