



EXPLOSIONPROOF XENON BEACON STAINLESS STEEL - 5, 11 & 21 JOULE



S888-X Xenon Beacon



- **Explosionproof**
- **Zone 1 and Zone 2**
- **5, 11, 21 Joule**
- **316 Stainless Steel**
- IP66
- Weight 3.75kg
- High energy xenon strobe beacon
- Repetitive Dual Flash (DH) and Single Flash (SH) models.
- Long-life xenon tube - typically >20,000,000 flashes.
- 24Vdc, 115Vac and 230Vac Voltages.
- Option available to allow multiple units to be flashed in synchronism.
- Choice of five lens colours.

Large format beacon featuring stainless steel body with well glass. Coloured versions supplied with ribbed dome cap whilst "clear" model supplied without for maximum possible light transmission.

Two threaded M20 entries are provided as standard; others can be supplied to special order.

PRODUCT CERTIFICATION : ATEX & IECEX

CE 1180 II 2 G Exd IIC T3 Gb

II 2 D Ex tb IIIC T150 °C Db -20 °C ≤ tA ≤ +70 °C

CERTIFICATION NUMBERS

ATEX: ITS 13 ATEX 17868

IECEX: IECEX ITS 13.0033

T3 RATING WITH MAX. AMBIENT TEMPERATURE = 70 °C

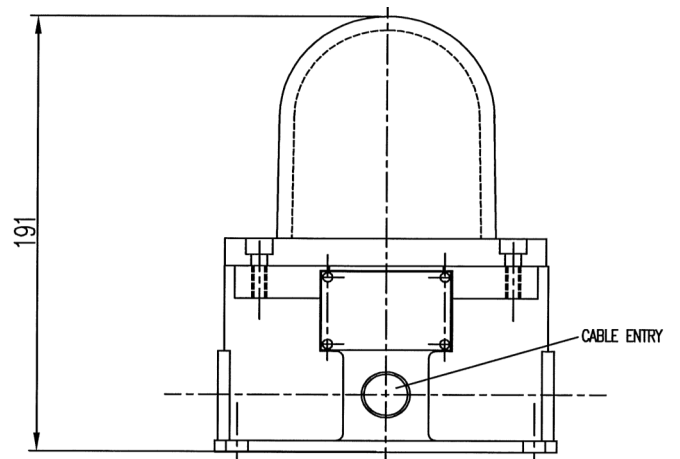
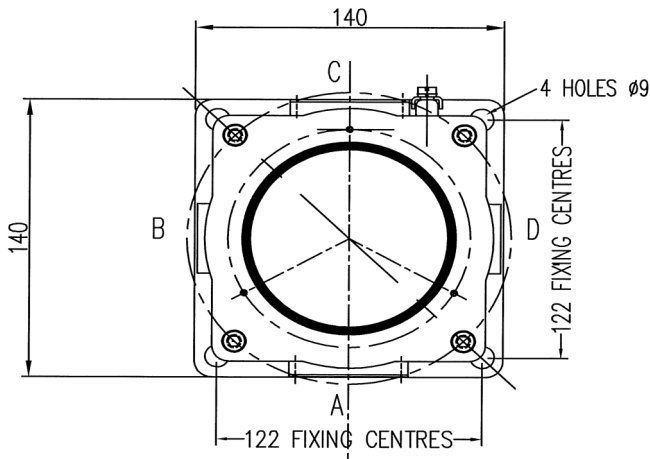
T4 RATING WITH MAX. AMBIENT TEMPERATURE = 55 °C

Complies with following Standards:

ATEX : EN60079-0:2012, EN60079-1:2007 and EN60079-31:2009.

IECEX : IEC60079-0:2011, IEC60079-1:2007 and IEC60079-31:2008.

IP : 60529:1997+A1:2000.



	5 Joule			11 Joule			21 Joule		
Voltage $\pm 15\%$	12-100vdc Auto Range	115Vac	230Vac	24Vdc	115Vac	230Vac	24Vdc	115Vac	230Vac
Current Consumption	7W	80mA	40mA	680mA	160mA	80mA	1.2A	280mA	140mA
Luminous Intensity									
- Clear	100cd			220cd			516cd		
- Red	20cd			44cd			124cd		
- Amber	60cd			132cd			310cd		
- Green	60cd			132cd			310cd		
- Blue	20cd			44cd			103cd		
Flash Event	Single Hit			Double or Single Hit			Single Hit		
Flash Rate	60 / min			30, 45, 60, 90 / min			60 / min		
Synchronisation	Multiple units can be flashed in synchronisation			Multiple units can be flashed in synchronisation			Multiple units can be flashed in synchronisation		

ORDERING INFORMATION

S888-X	ENERGY	VOLTAGE	FLASH EVENT	LENS COLOUR	LENS GUARD	ENTRY QTY	CABLE ENTRIES	TYPE	FACE
	Code	Code	Code	Code	Code	UP TO 4	Code	Code	Code
	5	24V DC - 24	SINGLE - S	CLEAR - C	YES - 1		M20 - 20	A	
	11	115V AC - 115	DOUBLE - D (11J only)	RED - R	NO - 0		M25 - 25	B	
	21	230V AC - 230		AMBER - A		*	1/2"NPT - 1/2	C	
				GREEN - G			3/4"NPT - 3/4	D	
				BLUE - B			*	*	*

EXAMPLE: S888-X/21/24/S/R/0/2-20-AC
 Xenon Beacon, 21 Joules, 24VDC, Single Flash, Red Lens,
 No Lens Guard, 2 x M20 Entries on faces A & C

* STANDARD CABLE ENTRY ARRANGEMENT
 1 x 20 mm FACE A
 1 x 20 mm FACE C
 FOR OTHER CABLE ENTRY ARRANGEMENTS,
 PLEASE CONTACT SEAGULL SAFETY FOR
 QUOTATION.