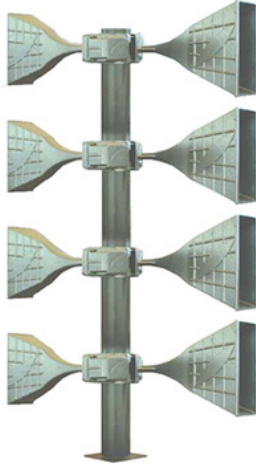




Electronic Siren Systems



- Refinery warning
- Military mass alerting
- Industrial warning and evacuation
- Civil defence warning systems
- Flood / tsunami warning
- Golf course lightning warning
- Up to 150dB @ 1m
- 124dB @ 30m

Control Panel



Remote Panel - Single Siren System

- Control of up to 4 alarm signals & 4-pre-recorded messages
- Microphone input connector for live voice messages
- Silent test activation facility and test results displayed on the 2 line LCD
- LCD
- Communication link to the siren is via an RS485 interface
- Power for the unit is provided by the RS485 interface
- Key operated switch to disable signal & voice activation function.



Multiple Siren System

- Control of up to 16 alarm signals & 230 pre-recorded messages
- Microphone input connector for live voice messages LED display unit
- User controllable alarm signal & message volume control
- User controllable alarm signal & message repetition rate control
- User controllable siren group control
- Siren silent test activation facility and test results displayed on the 2 line LCD
- Power for the unit is provided by the RS485 interface



Software For Microsoft Windows

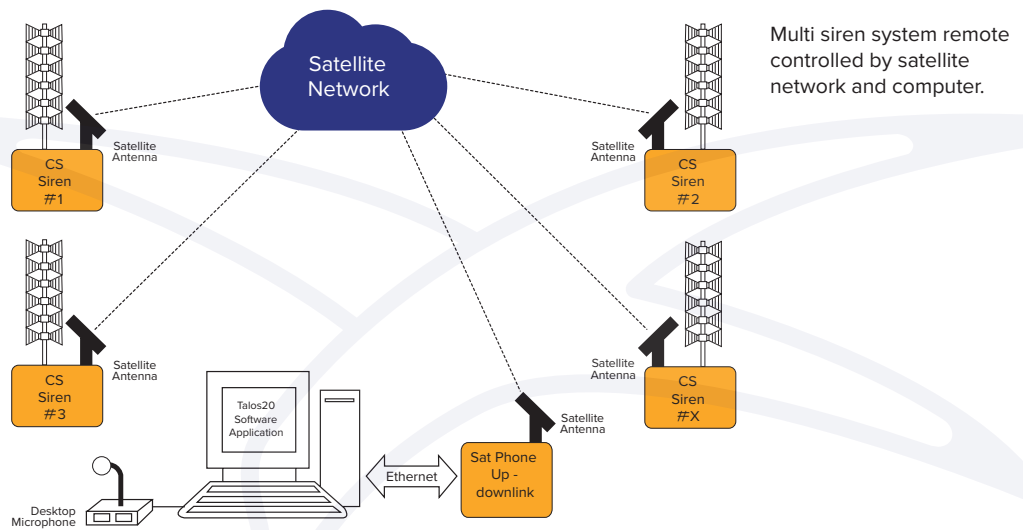
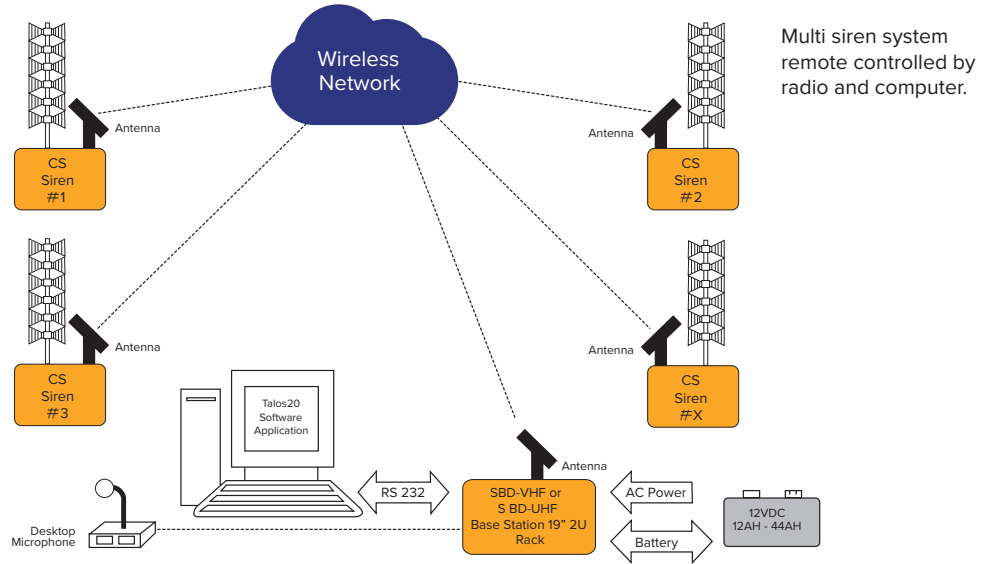
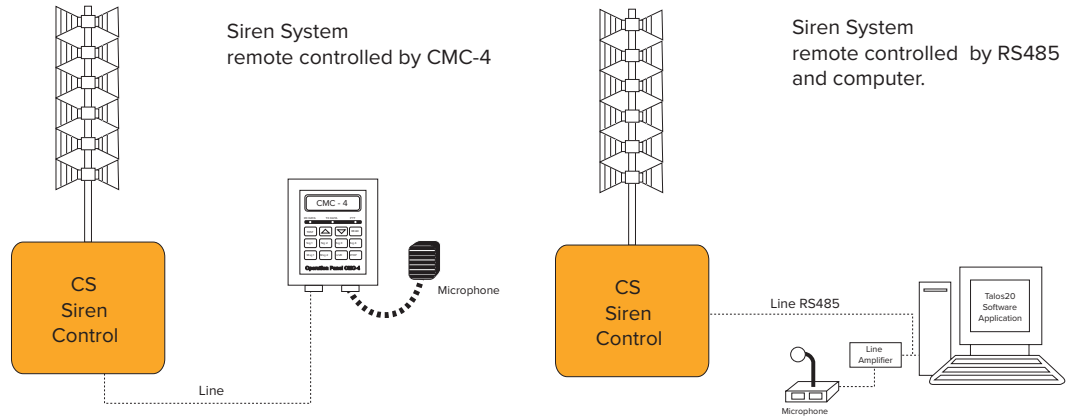
- Control of up to 16 alarm signals & 230 pre-recorded messages
- Live voice control facility
- User definable legends
- Master volume control
- Siren silent test activation facility and test results displayed.
- User definable siren group allocation
- Event & test logs



SEAGULL SAFETY

Electronic Siren Systems

Wired & Wireless



Seagull Safety Ltd
45 Chestnut Avenue,
Wokingham RG41 3HW
Berkshire, England
Tel: (44) 1753 474 112
Fax: (44) 118 977 5261

Seagull Safety (Singapore) Pte Ltd
1 Genting Link,
#07-06 Perfect One
Singapore 349518
Tel: (65) 6747 9646
Fax: (65) 6744 4028

Email: info@seagullssafety.com

www.seagullssafety.com



ISO 9001:2008 CERT NO.: 621945