



Ex15VT - Voice Tone Sounder



- Choice of 64 tones
50 standard
14 customised
- Plug-in card for recorded voice / sound reproduction
- Recording user programmable with any tone
- Synchronised sounds

TECHNICAL SPECIFICATION

MATERIAL

- Body - Injection Moulded Aluminium
DS 4261 equal to LM6
- Brackets & Fixings - Stainless Steel

FINISH

- Aluminium - Hard Anodised
(Paint - Polyester Fire Red - RAL 3000)

WEIGHT

- 3.0 kg

SOUND OUTPUT

- 107dB - 118dB SPL
- 3dB Volume Control

ENVIRONMENT

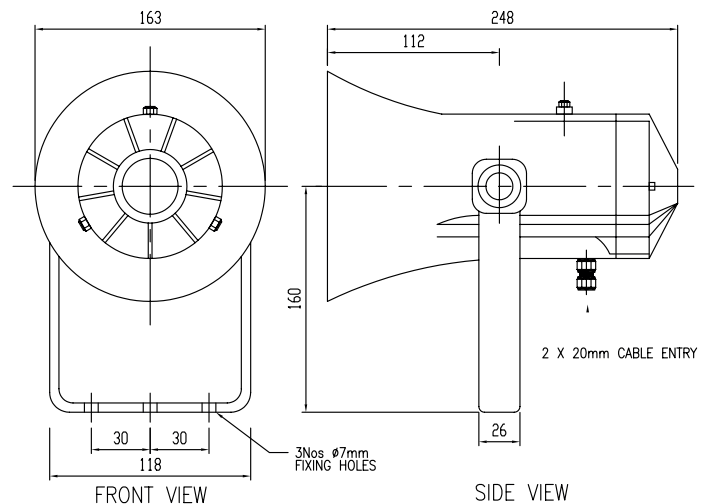
- Temperature Range -25°C to 55°C
- Ingress Protection IP67

POWER

- Voice & Tone
- Voltage 16V - 36V DC
- Current Consumption -
400mA (Average) @ 24V

APPROVAL CERTIFICATION

- Approval Authority NEMKO (Norway)
- Approval Certification:
NEMKO 98 ATEX 104
II 2 G
- EEx d IIB + H2 T6
- Approved For Zone 1 & 2 Use





SEAGULL SAFETY



Ex15VT - Voice Tone Sounder

TONE SELECTION TABLE				
TONE No.	TONE DESCRIPTION	SOUND TYPE	SWITCH CODE 1 2 3 4 5 6	TONE DURATION WITH MESSAGE
1	CONTINUOUS AT 320Hz		0 0 0 0 0 0	3s
2	CONTINUOUS AT 440Hz		1 0 0 0 0 0	3s
3	CONTINUOUS AT 520Hz	SHELL-FIRE SIREN ALL-CLEAR	0 1 0 0 0 0	3s
3	CONTINUOUS AT 554Hz		1 1 0 0 0 0	3s
5	CONTINUOUS AT 660Hz	SWEDISH FIRE ALARM	0 0 1 0 0 0	3s
6	CONTINUOUS AT 800Hz		1 0 1 0 0 0	3s
7	CONTINUOUS AT 1000Hz	SHELL-TOXIC GAS ALL-CLEAR	0 1 1 0 0 0	3s
8	CONTINUOUS AT 2000Hz	SHELL-FLAMMABLE GAS ALL-CLEAR	1 1 1 0 0 0	3s
9	CONTINUOUS AT 2850Hz		0 0 0 1 0 0	3s
10	INTERMITTENT 420Hz 0.625s ON/0.625s OFF	AUSTRALIAN ALERT	1 0 0 1 0 0	3.1s
11	INTERMITTENT 660Hz 150ms ON/150ms OFF	SWEDISH FIRE ALARM	0 1 0 1 0 0	1.35s
12	INTERMITTENT 660Hz 0.5s ON/0.5s OFF	SWEDISH FIRE ALARM	1 1 0 1 0 0	2.5s
13	INTERMITTENT 660Hz 7/8Hz	SWEDISH FIRE ALARM	0 0 1 1 0 0	2.9s
14	INTERMITTENT 660Hz 1.8s ON/1.8s OFF	SWEDISH FIRE ALARM	1 0 1 1 0 0	5.4s
15	INTERMITTENT 660Hz 6.5s ON/13s OFF	SWEDISH FIRE ALARM	0 1 1 1 0 0	6.5s
16	INTERMITTENT 800Hz 0.25s ON/0.25s OFF		1 1 1 1 0 0	2.25s
17	INTERMITTENT 800Hz 0.25s ON/1s OFF		0 0 0 0 1 0	1.75s
18	INTERMITTENT 1000Hz 0.5s ON/0.5s OFF		1 0 0 0 1 0	2.5s
19	INTERMITTENT 1000Hz 1s ON/1s OFF	SHELL-TOXIC GAS	0 1 0 0 1 0	5s
20	INTERMITTENT 1000Hz 0.5s ON/0.5s OFF FOR 3 PULSES, 1.5s GAP		1 1 0 0 1 0	2.5s
21	INTERMITTENT 2400Hz AT 1Hz		0 0 1 0 1 0	2.5s
22	INTERMITTENT 2850Hz 0.5s ON/0.5s OFF		1 0 1 0 1 0	2.5s
23	INTERMITTENT 2850Hz 1s ON/1s OFF		0 1 1 0 1 0	5s
24	INTERMITTENT 2850Hz 0.5s ON/0.5s OFF FOR 3 PULSES, 1.5s GAP		1 1 1 0 1 0	2.5s
25	ALTERNATE TONES 440/554Hz AT 1Hz		0 0 0 1 1 0	3s
26	ALTERNATE TONES 440/554Hz AT 0.5Hz		1 0 0 1 1 0	4s
27	ALTERNATE TONES 544Hz (0.1s)/440Hz (0.4s)	FRENCH FIRE ALARM	0 1 0 1 1 0	2s
28	ALTERNATE TONES 660/1200Hz AT 7/8Hz		1 1 0 1 1 0	3.4s
29	ALTERNATE TONES 800/1000Hz AT 2Hz		0 0 1 1 1 0	2s
30	ALTERNATE TONES 1000/2000Hz AT 1Hz	SHELL-FLAMMABLE GAS	1 0 1 1 1 0	3s
31	SWEEPING 500 - 1200Hz AT 7Hz		0 1 1 1 1 0	4s
32	SWEEPING 500 - 1200Hz AT 1Hz		1 1 1 1 1 0	3s
33	SWEEPING 500 - 1200Hz OVER 3.75s 0.25s GAP	AUSTRALIAN ALERT	0 0 0 0 0 1	3.75s
34	SWEEPING 660 - 1200Hz AT 1Hz		1 0 0 0 0 1	3s
35	SWEEPING 800 - 1000Hz AT 50Hz		0 1 0 0 0 1	4s
36	SWEEPING 800 - 1000Hz AT 8Hz		1 1 0 0 0 1	4s
37	SWEEPING 800 - 1000Hz AT 3Hz		0 0 1 0 0 1	3s
38	SWEEPING 800 - 1000Hz AT 1Hz		1 0 1 0 0 1	3s
39	SWEEPING 800 - 1000Hz AT 0.5Hz		0 1 1 0 0 1	4s
40	SWEEPING 1200 - 500Hz AT 1Hz		1 1 1 0 0 1	3s
41	SWEEPING 1400 - 1600Hz OVER 1s, SWEEPING 1600 - 1400Hz OVER 0.5s		0 0 0 1 0 1	3s
42	SWEEPING 1600 - 1400Hz AT 1Hz		1 0 0 1 0 1	3s
43	SWEEPING 2400 - 2850Hz AT 50Hz		0 1 0 1 0 1	3s
44	SWEEPING 2400 - 2850Hz AT 7Hz		1 1 0 1 0 1	3s
45	SWEEPING 2400 - 2850Hz AT 3Hz		0 0 1 1 0 1	3s
46	SWEEPING 2400 - 2850Hz AT 1Hz		1 0 1 1 0 1	3s
47	MOTOR SIREN MODULATED 320-520-320Hz OVER 6s REPEATED	SHELL-FIRE SIREN	0 1 1 1 0 1	6s
48	SIREN 500 - 1200 - 500Hz AT 0.3Hz		1 1 1 1 0 1	3.3s
49	TWO TONE CHIME		0 0 0 0 1 1	1s
50	BELL (IF PLAYBACK I.C. FITTED)		1 0 0 0 1 1	3s



Seagull Safety Ltd
45 Chestnut Avenue,
Wokingham RG41 3HW
Berkshire, England
Tel: (44) 1753 474 112
Fax: (44) 118 977 5261

Seagull Safety (Singapore) Pte Ltd
1 Genting Link,
#07-06 Perfect One
Singapore 349518
Tel: (65) 6747 9646
Fax: (65) 6744 4028

Email: info@seagullssafety.com

www.seagullssafety.com



ISO 9001:2008 CERT NO. 621945