



## S888 - X Xenon Beacon

Explosion proof Xenon Beacon  
Stainless Steel - 5, 11 & 21 Joule



- Explosion proof
- Zone 1 and Zone 2
- 5, 11, 21 Joule
- 316 Stainless Steel
- IP66
- Weight 3.75kg
- High energy xenon strobe beacon
- Repetitive Dual Flash (DH) and Single Flash (SH) models.
- Long-life xenon tube - typically >20,000,000 flashes
- 24Vdc, 115Vac and 230Vac Voltages
- Option available to allow multiple units to be flashed in synchronism
- Choice of five lens colours



Large format beacon featuring stainless steel body with well glass. Coloured versions supplied with ribbed dome cap whilst 'clear' model supplied without for maximum possible light transmission. Two threaded M20 entries are provided as standard; others can be supplied to special order.

### CERTIFICATION : ATEX & IECEX

CE 2585 Ex II 2 G Ex d IIC T3 Gb

Ex II 2 D Ex tb IIIC T150 °C Db -20 °C ≤ tA ≤ +70 °C

T3 Rating With Max. Ambient Temperature = 70 °C

T4 Rating With Max. Ambient Temperature = 55 °C

### CERTIFICATION NUMBERS

ATEX: ExVeritas 15 ATEX0094

IECEX: IECEX ExV 15.0010

### COMPLIES WITH FOLLOWING STANDARDS:

ATEX: EN60079-0:2012, EN60079-1:2007 and EN60079-31:2009.

IECEX: IEC60079-0:2011, IEC60079-1:2007 and IEC60079-31:2008.

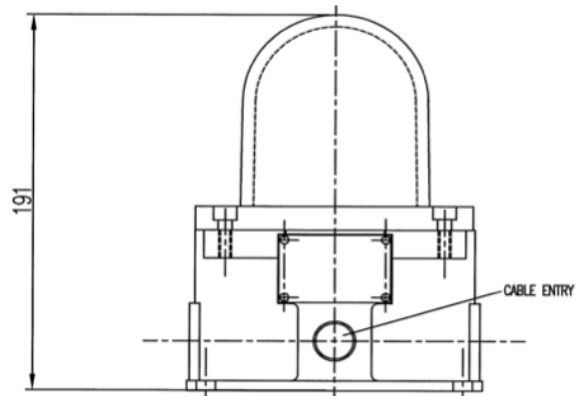
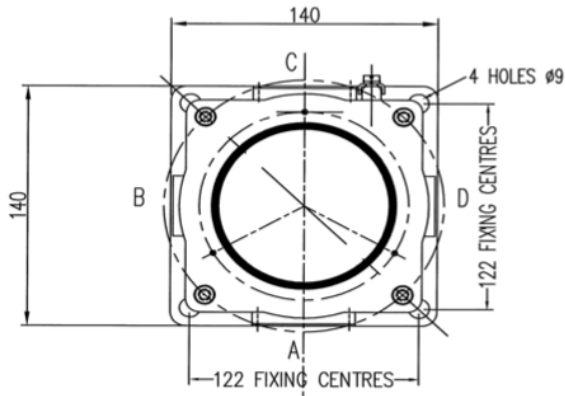
IP: 60529:1997+A1:2000.



# SEAGULL SAFETY

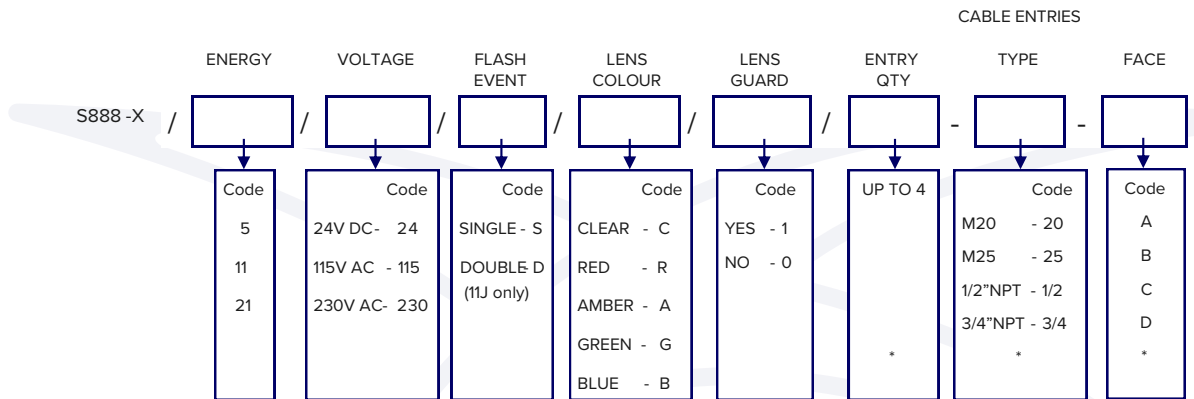
## S888 - X Xenon Beacon

Explosion proof Xenon Beacon  
Stainless Steel - 5, 11 & 21 Joule



	5 Joule			11 Joule			21 Joule		
Voltage + 15%	12-100Vdc Auto Range	115Vac	230Vac	24Vdc	115Vac	230Vac	24Vdc	115Vac	230Vac
Current Consumption	7W	80mA	40mA	680mA	160mA	80mA	1.2A	280mA	140mA
Luminous Intensity									
- Clear	100cd			220cd			516cd		
- Red	20cd			44cd			124cd		
- Amber	60cd			132cd			310cd		
- Green	60cd			132cd			310cd		
- Blue	20cd			44cd			103cd		
Flash Event	Single Hit			Double or Single Hit			Single Hit		
Flash Rate	60 / min			30, 45, 60, 90 / min			60 / min		
Synchronisation	Multiple units can be flashed in synchronisation			Multiple units can be flashed in synchronisation			Multiple units can be flashed in synchronisation		

### ORDERING INFORMATION



EXAMPLE: S888- X/21/24/S/R/1/2 -20-AC  
Xenon Beacon, 21 Joules, 24DC, Single Flash, Red Lens,  
Lens Guard, 2 xM20 Entries on faces A & C

\* STANDARD CABLE ENTRY ARRANGEMENT  
1 x 20 mm FACE A  
1 x 20 mm FACE C

FOR OTHER CABLE ENTRY ARRANGEMENTS,  
PLEASE CONTACT SEAGULL SAFETY FOR  
QUOTATION.



ISO 9001:2008 CERT NO. 621945

Seagull Safety Ltd  
45 Chestnut Avenue,  
Wokingham RG41 3HW  
Berkshire, England  
Tel: (44) 1753 474 112  
Fax: (44) 118 977 5261

Seagull Safety (Singapore) Pte Ltd  
1 Genting Link,  
#07-06 Perfect One  
Singapore 349518  
Tel: (65) 6747 9646  
Fax: (65) 6744 4028

Email: info@seagullssafety.com

www.seagullssafety.com